

CL11

High Performance – 3U Compact PCI® Single Slot Dual Core Processor Board

Features

- Intel® Core 2 Duo® processor, 1.5 GHz
- Intel® Core Duo® processor 1.2, 1.66 and 2 GHz
- Up to 4 MB L2 cache
- Ultra compact all-in-one PC
- Single slot
- System or Non-system (peripheral mode)
- System slot for 32-bit CompactPCI backplane
- Up to 2 GB DDR2 SDRAM
- Optional Flash drive
- VGA interface
- Dual Gigabit Ethernet ports
- Enhanced IDE UDMA-100
- 2x Serial ATA
- 1x serial I/O with FIFOs, RS-232 interface
- 6x USB 2.0
- Watchdog, temperature sensor
- 5 V / 3.3 V supply
- Optional -40° C to +75° C
- Custom specific versions
- RoHS compliant

* For non-system (peripheral mode) please contact GE Fanuc Intelligent Platforms.

CL11 is a high-performance single slot 3U CompactPCI® CPU board using the Intel® Core Duo® or the Intel® Core 2 Duo® Processor incorporating sophisticated power management technology, eliminating the need for an onboard fan. The CL11 can be ordered as a system or non-system slot single board computer.

CompactFlash is available as an option.

The CL11 supports two Gigabit Ethernet ports, up to 2 GByte of DDR2 SDRAM and VGA. At the heart of the CL11 design is a high-bandwidth 667MHz bus connecting the processor, chipset and PC2-5300 DDR2 SDRAM. In addition there are six USB 2.0 ports, one serial channel, and two serial ATA channels. Interfaces are available as front- and/or rear-I/O. The CL11 is available in standard temperature range 0° C to +70° C, and optional in extended from -40° C to +75° C. Custom specific versions are available on request.

The CL11 is a powerful processor platform for a wide range of applications and markets such as multimedia, automation, transportation, as well as imaging, medical, robotics, and many others. The CL11 is very suited to low-power embedded computer applications in a small form factor where optimal performance and functionality is required.

The CL11 is RoHS compliant.

For additional functionality, refer to the CL11's sister product, CC11. The CC11 is a 3U CompactPCI® dual slot dual core processor board.

CL11 - 3U Compact PCI® Single Slot Dual Core Processor Board

Specifications

Processor - µFCBGA, Low Power design

- Scaleable processing power with flexible processor design
- Intel Core Duo processor U2500: 1.20 GHz
- Intel Core Duo processor L2400: 1.66 GHz
- Intel Core Duo processor T2500: 2.00 GHz
- Intel Core 2 Duo processor L7400: 1.5 GHz
- High efficiency on-board switching regulator (DC/DC)
- Fanless cooling with heat sink
- Contact factory for latest CPU versions

Cache	Level 1	Level 2
Core Duo	32 KB	2 MB, full speed
Core 2 Duo	32 KB	4 MB, full speed

Chipset - Intel 945GM with Intel ICH7R

- 533/667 MHz system bus to processor
- One PCI Express x4 interface
- Two PCI Express x1 interfaces
- Data throughput between 945GM and ICH7R is theoretically 2 GB/s (1 GB/s each direction)

Memory - DDR2 667

- Single-/Dual-Channel DDR2 SDRAM
- High-speed 667 MHz (PC2 5300) DDR2 SDRAM
- 64-bits wide / 128-bits wide
- 512 MB to 2 GB with soldered chips

CompactPCI

- PICMG 2.0 R3.0 compliant CPCI 32bit/66 MHz local bus standard
- Backplane with rear I/O
- System or non-system (peripheral) PCI Bridge Pericom PI7C9X110 for up to 7 slots
- J1+2, 2 mm pin and socket connectors (IEC-1076-4-101)
 - * For non-system (peripheral mode) please contact GE Fanuc Intelligent Platforms.

Gigabit - Two Realtek RTL8111B

- Highly integrated Single Gigabit Ethernet Controller with PCI Express x1 interface
- 64 KB Transmit and Receive FIFO
- 10/100/1000BaseT auto-negotiation
- Port 1 and Port 2 for front or rear I/O. Solder option.

Flash Drive

- EIDE on header connector
- Extension board with one CompactFlash connector

VGA and LCD - Chipset Integrated

- 2D & 3D graphics engine
- DirectX 9.1 support
- Up to 64 MB of dynamic video memory allocation
- Integrated 360 MHz 24-bit RAMDAC for analog VGA monitors up to 1600 x 1200, 75 Hz
- Display image rotation
- Graphics power management
- VGA at front or rear I/O

EIDE

- Ultra ATA/100 sync. DMA mode up to 90 MB/s
- PIO mode 4 and bus master IDE up to 16 MB/s
- Onboard devices supported via local header

SATA

- Two serial ATA at rear I/O
- DMA mode up to 150 MB/s

Serial I/O - RS232

- Integrated in SMSC SCH3112 Super I/O
- One async. 16550 compatible full duplex serial channels
- High-speed transfer up to 115.2 kbaud with 16 byte FIFOs
- COM1 available at rear I/O

General Purpose Input/Outputs

- Integrated in SMSC SCH3112 Super I/O
- 8 bits programmable general purpose inputs/outputs

USB 2.0

- Six USB 2.0 connectors. Two on front, three on rear I/O and one on board.

Keyboard

- Via USB (supports legacy keyboard/mouse SW)

Mouse

- Via USB (supports legacy keyboard/mouse SW)

Real-time clock

- Integrated in chipset
- RTC 146818 compatible, on-board Li-battery

CMOS RAM

- 114 bytes non-volatile CMOS RAM for BIOS data

EEPROM

- 512 Kbit (64 KB) serial EEPROM for non-volatile user data

Floppy

- Via USB port

Watchdog

- Integrated in chipset
- Two stage watchdog with independent count values
- First stage drives NMI or SMI, second stage drives reset
- Configurable granularity from 1 µs to 10 min

Timer

- Integrated in chipset based on 82C59
- Includes three timer comparators
- One-shot and periodic interrupts supported

Temp. Sensor

- CPU die and heat sink temperature software readable from
- -65° C to +127° C

LED

- Two LEDs at front panel

CL11 - 3U Compact PCI® Single Slot Dual Core Processor Board

BIOS Features

- New AMI BIOS Core 8, in-system programmable Flash ROM
- Automatic system configuration
- Integrated VGA, SATA RAID and Ethernet PXE ROM
- USB Mass Storage support
- Password protection
- Headless support
- Remote console through serial port

Software

- The following software is supported to the extent listed below.

OS	On Request	Available
WIN XP	-	√
QNX 6	√	-
VxWorks	-	√
Lynx OS	√	-
Linux	-	√

Front and Onboard I/O with standard Front Panel

Function	Single Board Computer CL11		
	Front I/O	Onboard I/O	Rear I/O
Gb Ethernet 0	RJ-45*2		Yes*2
Gb Ethernet 1	RJ-45*2		Yes*2
USB 0	USB		
USB 1	USB		
USB 2 to 4			Yes
USB 5		Misc. Header 2	
VGA	D-15		Yes
EIDE		Misc. Header 1 *1	
SATA 1 / 2			Yes
COM 1			Yes
GPIO (8 pins)			Yes
Power button	Button		
Reset			Yes
Speaker			Yes
LED	Yes		
Keyboard, Mouse, Floppy	Via USB		Via USB

*1 CompactFlash adaptor with special extension card possible

*2 Front- or Rear-I/O as a solder option

Power Requirements

- +5 V, +3.3 V Required

Power Consumption - typical operating current (est.)

- TBD

Mechanical – PICMG 2.0

- 3U, 1 slot wide (100 x 160 x 20.32) mm with front panel

Temperature

- Note: For detailed information about the operating temperature behavior of the board it is absolutely necessary to consult the manual. The highest achievable operating temperature depends on processor type, speed, ambient conditions (air flow) and front plate width.
- All values under typical conditions.

	Operating	Storage
Standard	0° C to +70° C	-40° C to +85° C
Extended	-40° C to +75° C	-40° C to +85° C

Humidity

- Operating: 5 – 95 % @ 40° C
- Storage: 5 – 95 % @ 40° C

Altitude

- Operating: 15.000 ft. (4.5 km)
- Storage: 40.000 ft. (12 km)

Shock (3 axis, up & down, 5 hits / direction)

- Styles 1, 3: 12 g / 6 ms

Vibration (60 minutes each axis)

- Styles 1, 3: 2 g rms @ 5 to 100 Hz

VITA 47

- Designed to meet VITA47 class EAC1 and EAC3

MTBF

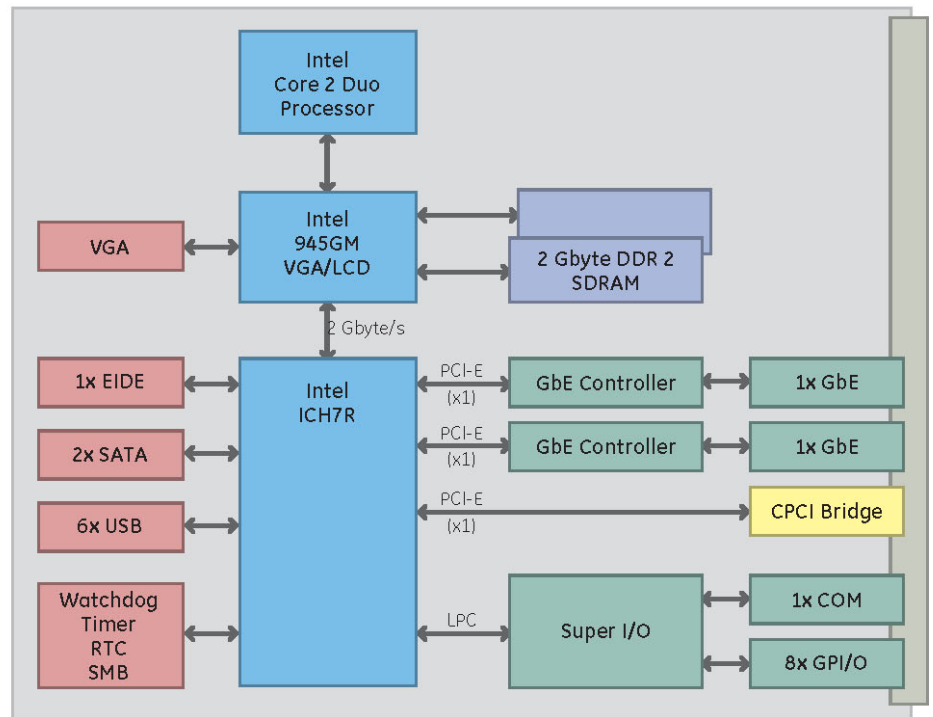
- Calculations are available in accordance with MIL-HDBK-217. Please contact GE Fanuc Intelligent Platforms.

Safety

- Designed to meet standard UL 1590, CE class A, FCC-A

CL11 - 3U Compact PCI® Single Slot Dual Core Processor Board

Block Diagram



Ordering Information

Hardware Accessories

CTM18: I/O transition module for 3U backplane

SCC484TB05CL11R: Starter cage 19" 4U, 5 slots, with fans, power supply, CDROM and hard disk, 0° C to +40° C

Operating Systems

Extensive operating systems support is available (see page 3). Chassis with power supplies, backplanes and drives on request. For detailed information and further options, contact GE Fanuc Intelligent Platforms.

About GE Fanuc Intelligent Platforms

GE Fanuc Intelligent Platforms is a leading global provider of embedded computing solutions for a wide range of industries and applications. Our comprehensive product offering includes many types of I/O, single board computers, high performance signal processors, fully integrated, rugged systems including flat panel displays, plus high speed networking and communications products. The company is headquartered in the U.S. and has design, manufacturing and support offices throughout the world. Whether you're looking for one of our standard products or a fully custom solution, GE Fanuc Intelligent Platforms has the breadth, experience and 24/7 support to deliver what you need. For more information, visit www.gefanuc.com.

GE Fanuc Intelligent Platforms Information Centers

Americas:
1 800 322 3616 or 1 256 880 0444

Asia Pacific:
86 10 6561 1561

EMEA:
Germany: +49 821 5034-0
UK: +44 1327 359444

Additional Resources

For more information, please visit the GE Fanuc Intelligent Platforms web site at:

www.gefanuc.com

