



NETernity™ RM981RC

VME 12- or 24-Port Unmanaged Layer-2 Gigabit Ethernet Switch with Front I/O

Features

- 6U VME form factor
 - Single slot (12-port)
 - Dual slot (24-port)
- 12- or 24-port Gigabit Ethernet switch
- L-2 switching at wire-speed
- Ports can be 10/100/1000BaseT, 1000BaseLX, or 1000BaseSX, or a combination of interfaces
- Auto address learning
- Auto address aging
- 10/100/1000BaseT auto-negotiating, supports full or half-duplex
- Support for Jumbo Frames
- Front panel Link and Activity status LEDs
- Urethane or acrylic conformal coating optional

Key Specifications

- IEEE 802.3-2005
- MDI/MDIX control
- RoHS 2002/95/EC compliant

NETernity™ RM981RC is an economical VME format unmanaged Layer-2 Gigabit Ethernet switch that offers flexibility for system designers. Configuration options include port number, interface type and media, and front panels and conformal coating.

Designed to meet the needs of a wide range of applications such as commercial, industrial and government systems, the 6U VME form factor RM981RC facilitates communications within a chassis as well as supporting the network outside the chassis.

All 12 or 24 ports are routed to front panel I/O and can be 10/100/1000BaseT, 1000BaseLX or 1000BaseSX. Mixing and matching of fiber and copper media in groups of four is supported. Scanbe front panel and urethane or acrylic conformal coating are optional.

Why choose GE Fanuc Intelligent Platforms NETernity Ethernet Switches?

GE Fanuc has a wealth of expertise in Military, Commercial and Telecommunications markets. This makes us unique in the embedded computing industry – we understand application requirements and we know communication protocols.

Our line of NETernity Ethernet Switches is unmatched. Not only is our product selection extensive, but the switches themselves provide maximum flexibility, performance, and density.

NETernity Ethernet Switches are available in a variety of form factors, interfaces, levels of ruggedness, port configurations, media support, and types of management.

Fully Managed switches are Layer-2/3+ switches with control and monitoring capabilities via local or remote access. Managed switches are Layer-2 switches with control and monitoring capabilities via local or remote access. Unmanaged switches are Layer-2 switches with no operator interfacing and are designed for quick deployment in well defined applications.

Call GE Fanuc Intelligent Platforms' knowledgeable sales team for help in selecting the switch that best meets your applications requirements.



NETernity™ RM981RC VME 12- or 24-Port Unmanaged Layer-2 Gigabit Ethernet Switch

Specifications

Physical Interface

- 12 or 24 Gigabit Ethernet ports routed to front
- 10/100/1000BaseT, 1000BaseLX or 1000BaseSX
- RJ-45 connectors (10/100/1000BaseT); LC connectors (1000BaseLX and 1000BaseSX)

Dimensions

- 6U single slot VME form factor (12-port)
- 6U dual slot VME form factor (24-port)

Weight

- Single slot: 0.86 lbs (0.39 Kg)
- Dual slot: 1.66 lbs (0.75 Kg)

Power Requirements

- 12 copper ports: 18 W (max)
- 12 fiber ports: 24 W (max)
- 24 copper ports: 30 W (max)
- 24 fiber ports: 42 W (max)

MTBF

- 567,214 hours per Ground Benign, Controlled at 40C

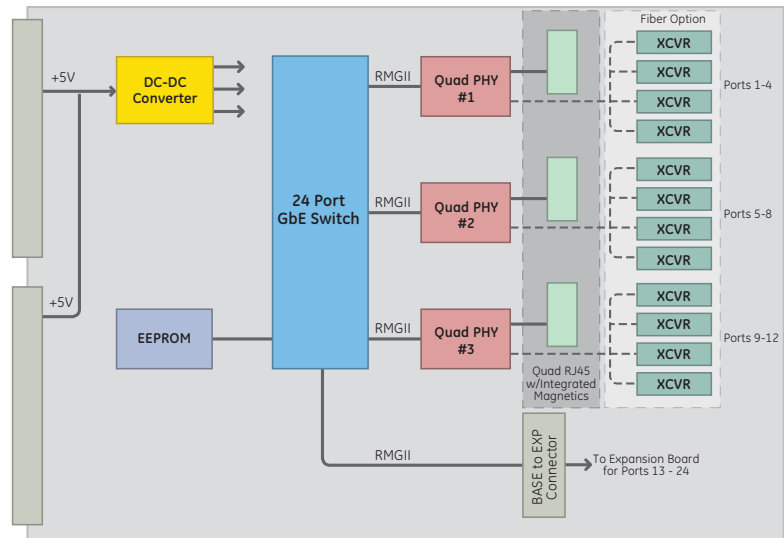
Environmental

- Operating temperature: 0° to +65 °C
- Storage temperature: -40° to +125 °C
- Relative humidity: 5% to 95%, noncondensing

Regulatory Compliance

- European Union (CE Mark)
 - EN55022 Radiated Emissions Class A
 - EN55022 Conducted Emissions Class A
- United States
 - FCC 47 Part 15, Class A
- Safety:
 - UL60950-1
 - CSA C22.2, No. 60950-1
 - EN60950-1 (Low Voltage)
- RoHS 6/6: European Community Directive 2002/95/EC

Block Diagram



Ordering Information

Base Part Number	# of Copper Ports AA	# of Fiber 1000SX Ports BB	# of Fiber 1000LX Ports CC	Faceplate Style E
RM981RC-				
Example 1	8 ports (08)	4 ports (04)	0 ports (00)	0
Example 2	4 ports (04)	16 ports (16)	4 ports (04)	1

NOTE: Only allowable combinations are all copper, all fiber, or mix of copper and fiber ports in increments of four. RM981RC supports either 12 ports (single slot) or 24 ports (dual slots).

Suffix
 -CC to model number to indicate urethane conformal coated boards
 -CCA to model number to indicate acrylic conformal coated boards

Example 1: Order RM981RC-0804000 (RM981RC with 8 copper & 4 fiber 1000BaseSX ports and standard faceplate)
 Example 2: Order RM981RC-04016041-CC (RM981RC with 4 copper, 16 1000BaseSX, and 4 1000BaseLX ports, flat VMEbus faceplate with Scanbe handle, and urethane conformal coating)

About GE Fanuc Intelligent Platforms

GE Fanuc Intelligent Platforms is a leading global provider of embedded computing solutions for a wide range of industries and applications. Our comprehensive product offering includes many types of I/O, single board computers, high performance signal processors, fully integrated, rugged systems including flat panel displays, plus high speed networking and communications products. The company is headquartered in the U.S. and has design, manufacturing and support offices throughout the world. Whether you're looking for one of our standard products or a fully custom solution, GE Fanuc Intelligent Platforms has the breadth, experience and 24/7 support to deliver what you need. For more information, visit www.gefanuc.com.

GE Fanuc Intelligent Platforms Information Centers

Americas:
1 800 322 3616 or 1 256 880 0444

Asia Pacific:
+81 3 5544 3973

EMEA:
Germany: +49 821 5034-0
UK: +44 1327 359444

Additional Resources

For more information, please visit the GE Fanuc Intelligent Platforms web site at:

www.gefanuc.com

